

## FIVES ON A PROM

Wednesday 1st October 2008



### Blackpool Illuminations

This is an evening run starting at the Boatyard (PR5 0SP), just off the M65 Junction 3, at 8:00pm on the evening of Wednesday 1<sup>st</sup> October. Please be aware that you can get a fish and chip (or similar) meal at the end of this run, so the Boatyard is the meeting (not eating) place on this evening.

Following the motorways into Blackpool, the run will take in the famous Blackpool illuminations along the Prom from South to North.

Weather permitting we will be able to see the illuminations with the tops down so we don't miss any of this spectacular show.

The run will end at Bispham Kitchen, where this famous Fish and Chip shop will be waiting to welcome us.

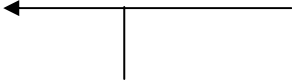
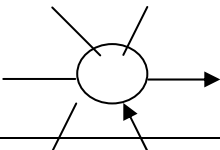

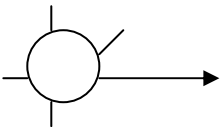

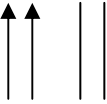

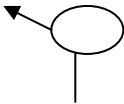
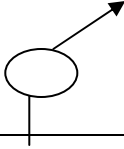


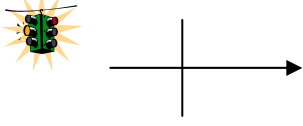
A few points to bear in mind:


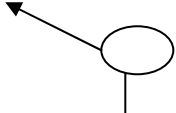

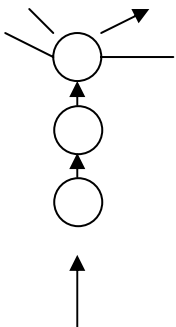
Go straight ahead at all traffic lights unless the instructions tell you otherwise. There are several of these along the route, but they have not been marked on the Tulip Map.

Blackpool collect donations from cars at two collection points (both marked on the Tulip Map). You are not obliged to donate any money, but If you intend to do so, then a donation at the first one gets you a small guide to the lights themselves, and at the second collection point you can show the guide to indicate that you have already donated.

There are speed cameras on the roads into Blackpool and 5 cameras along the Illuminations themselves

## FIVES ON A PROM

Zero TRIP AT "The Boatyard" Car park exit		Turn Left out of car park
Miles 0.4 Km 0.6 Rster 0.4		Follow M65 Preston
Miles 2.9 Km 4.7 Rster 3.0		Head towards M61
Miles 3.2 Km 5.1 Rster 3.3		Take 4 <sup>th</sup> exit M61
Miles 5.2 Km 8.4 Rster 5.4		Join M6
Miles 9.8 Km 15.8 Rster 10.2		Take left lanes Follow M55 (Junction 32) Blackpool Fleetwood
Miles 21.8 Km 35.0 Rster 22.7		Get into the middle lane
Miles 23.9 Km 38.4 Rster 24.9		Follow signs towards Lytham St Annes and Airport
Miles 24.1 Km 38.8 Rster 25.0		<b>BEWARE ACTIVE POLICE 40 MPH</b>
Miles 25.2 Km 40.5 Rster 26.2		<b>BEWARE ACTIVE POLICE 30 MPH</b>
Miles 25.5 Km 41.0 Rster 26.5		<b>SPEED CAMERA</b>
Miles 26.1 Km 42.0 Rster 27.2		Get in RIGHT hand lane
Miles 26.6 Km 45.8 Rster 27.7		Turn RIGHT at traffic lights START of "illuminations"

<table border="1"> <tr><td>Miles</td><td></td></tr> <tr><td>Km</td><td></td></tr> <tr><td>Rster</td><td></td></tr> </table>	Miles		Km		Rster		!	BEWARE Speed Cameras along Prom 30 MPH <b>SEE TABLE BELOW</b>
Miles								
Km								
Rster								
<table border="1"> <tr><td>Miles</td><td>27.2</td></tr> <tr><td>Km</td><td>43.7</td></tr> <tr><td>Rster</td><td>28.3</td></tr> </table>	Miles	27.2	Km	43.7	Rster	28.3		Illuminations collection point
Miles	27.2							
Km	43.7							
Rster	28.3							
	<b>CAMERAS 1 AND 2</b>							
<table border="1"> <tr><td>Miles</td><td>29.6</td></tr> <tr><td>Km</td><td>47.6</td></tr> <tr><td>Rster</td><td>30.8</td></tr> </table>	Miles	29.6	Km	47.6	Rster	30.8	!	Watch out for trams!
Miles	29.6							
Km	47.6							
Rster	30.8							
<table border="1"> <tr><td>Miles</td><td>29.9</td></tr> <tr><td>Km</td><td>48.1</td></tr> <tr><td>Rster</td><td>31.1</td></tr> </table>	Miles	29.9	Km	48.1	Rster	31.1		Don't follow the tramlines!
Miles	29.9							
Km	48.1							
Rster	31.1							
	<b>CAMERAS 3 AND 4</b>							
<table border="1"> <tr><td>Miles</td><td>30.6</td></tr> <tr><td>Km</td><td>49.2</td></tr> <tr><td>Rster</td><td>31.9</td></tr> </table>	Miles	30.6	Km	49.2	Rster	31.9		Keep following the illuminations
Miles	30.6							
Km	49.2							
Rster	31.9							
	<b>CAMERA 5</b>							
<table border="1"> <tr><td>Miles</td><td>31.4</td></tr> <tr><td>Km</td><td>50.5</td></tr> <tr><td>Rster</td><td>32.7</td></tr> </table>	Miles	31.4	Km	50.5	Rster	32.7		Illuminations collection point
Miles	31.4							
Km	50.5							
Rster	32.7							
<table border="1"> <tr><td>Miles</td><td>31.8</td></tr> <tr><td>Km</td><td>51.1</td></tr> <tr><td>Rster</td><td>33.1</td></tr> </table>	Miles	31.8	Km	51.1	Rster	33.1		Turn RIGHT into Red Bank Road, just after the Triumphal Arch
Miles	31.8							
Km	51.1							
Rster	33.1							
<table border="1"> <tr><td>Miles</td><td>31.8</td></tr> <tr><td>Km</td><td>51.1</td></tr> <tr><td>Rster</td><td>33.1</td></tr> </table>	Miles	31.8	Km	51.1	Rster	33.1	<b>BISPHAM KITCHEN</b>	Park up on Red Bank Road or in nearby side road. <b>STOP FOR FISH AND CHIPS</b>
Miles	31.8							
Km	51.1							
Rster	33.1							
<table border="1"> <tr><td>Miles</td><td></td></tr> <tr><td>Km</td><td></td></tr> <tr><td>Rster</td><td></td></tr> </table>	Miles		Km		Rster			Continue down Red Bank Road away from the sea front Follow signs for M55  Alternatively you may wish to drive back down through the illuminations North to South ! <b>And watch out for different Speed Cameras!</b>
Miles								
Km								
Rster								

**SPEED CAMERAS**

	<b>1</b>		<b>2</b>		<b>3</b>		<b>4</b>		<b>5</b>
Miles	27.6	Miles	28.6	Miles	30.2	Miles	30.4	Miles	30.9
Km	44.4	Km	46.0	Km	48.6	Km	48.9	Km	49.7
Rster	38.7	Rster	29.8	Rster	31.4	Rster	31.6	Rster	32.1